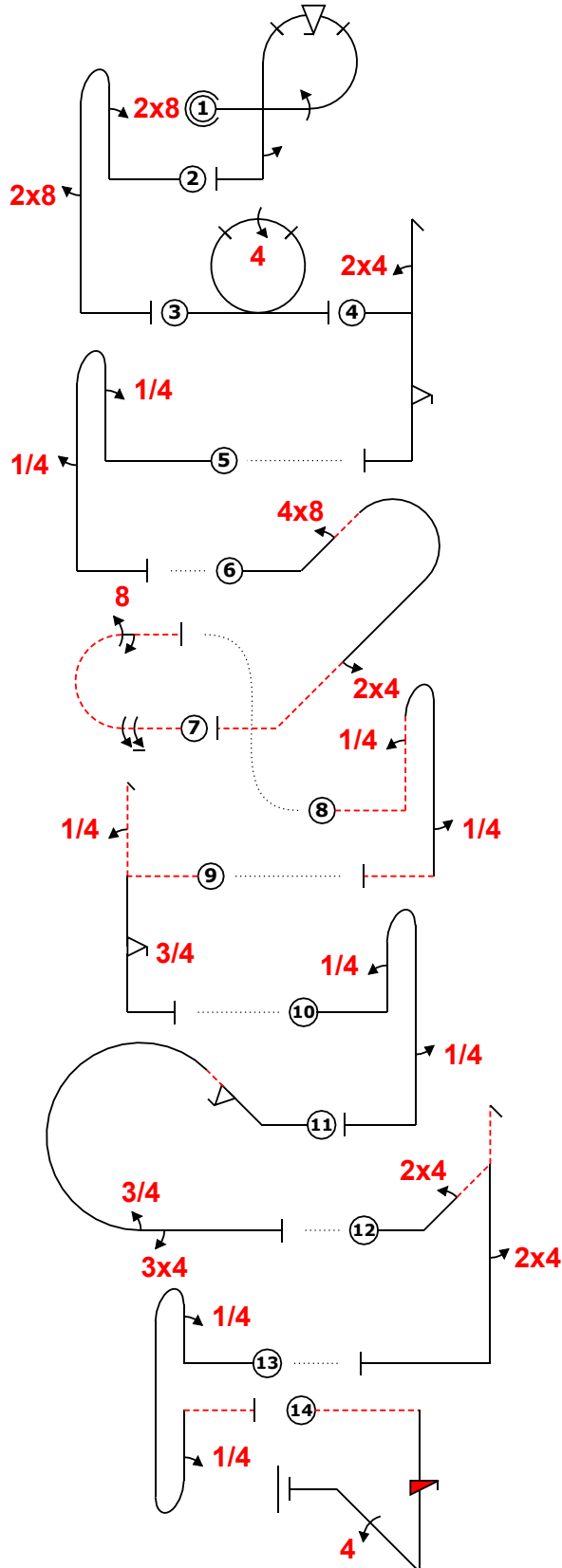
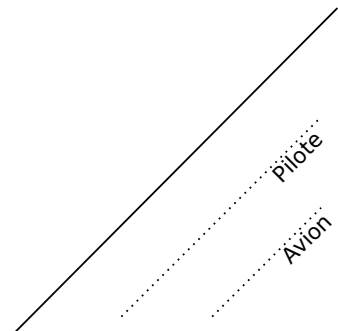


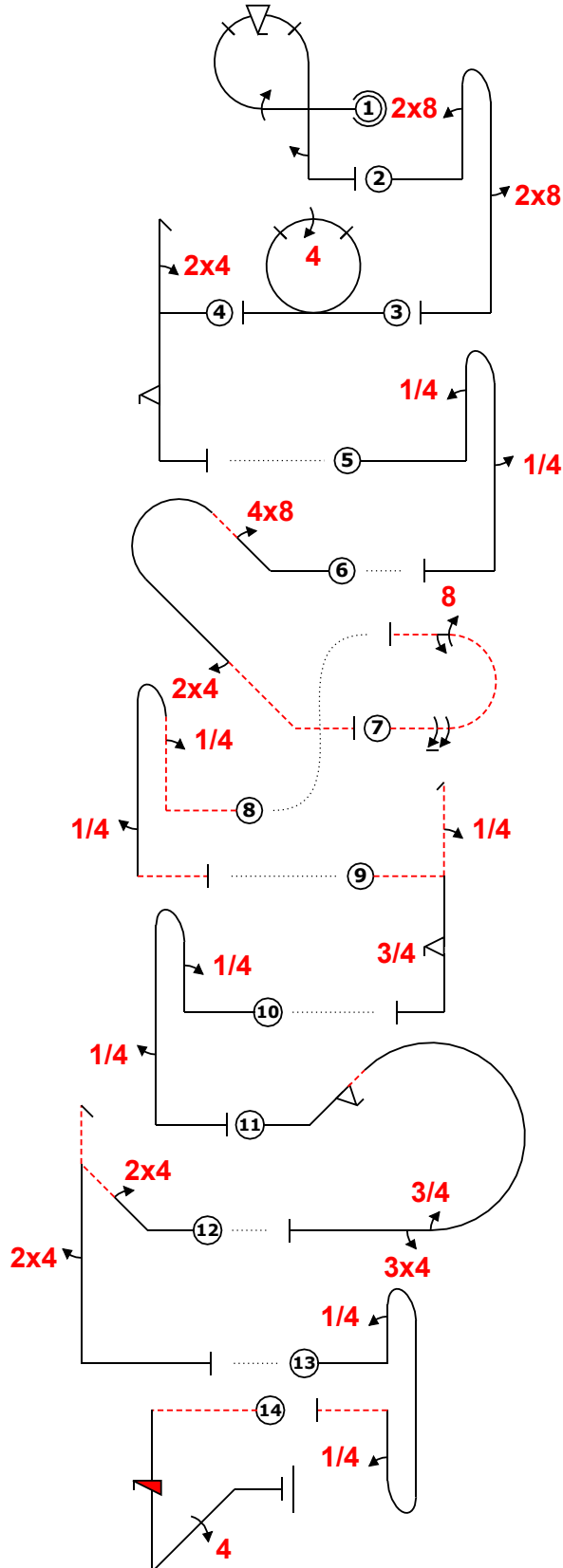
A - Programme 4 Cys		Form B
Pilote ID	France Advanced inconnu-libre 3	Vol N°



"@C" 1p(f)2 "@G" ,8b'',8.. "@D" o44 "@E" 24h.2f. (-8,0) "@L" +,4b',4.' (3,0) "@H" ~'' 48'rb. '24... "@F" -9m88,2- (8,15) "@L" -4b.' '4-^ (-9,0) "@B" ~4h''3f. (7,0) "@L" ~4b.' '4''^ "@A" 10% +... 2f' rc3,34+... (3,0) "@I" 24dh('''). '24... ++~ (-4,0) "@L" ~,4bb('),4-^ "@J" 2> ~is.ik'' 44''''



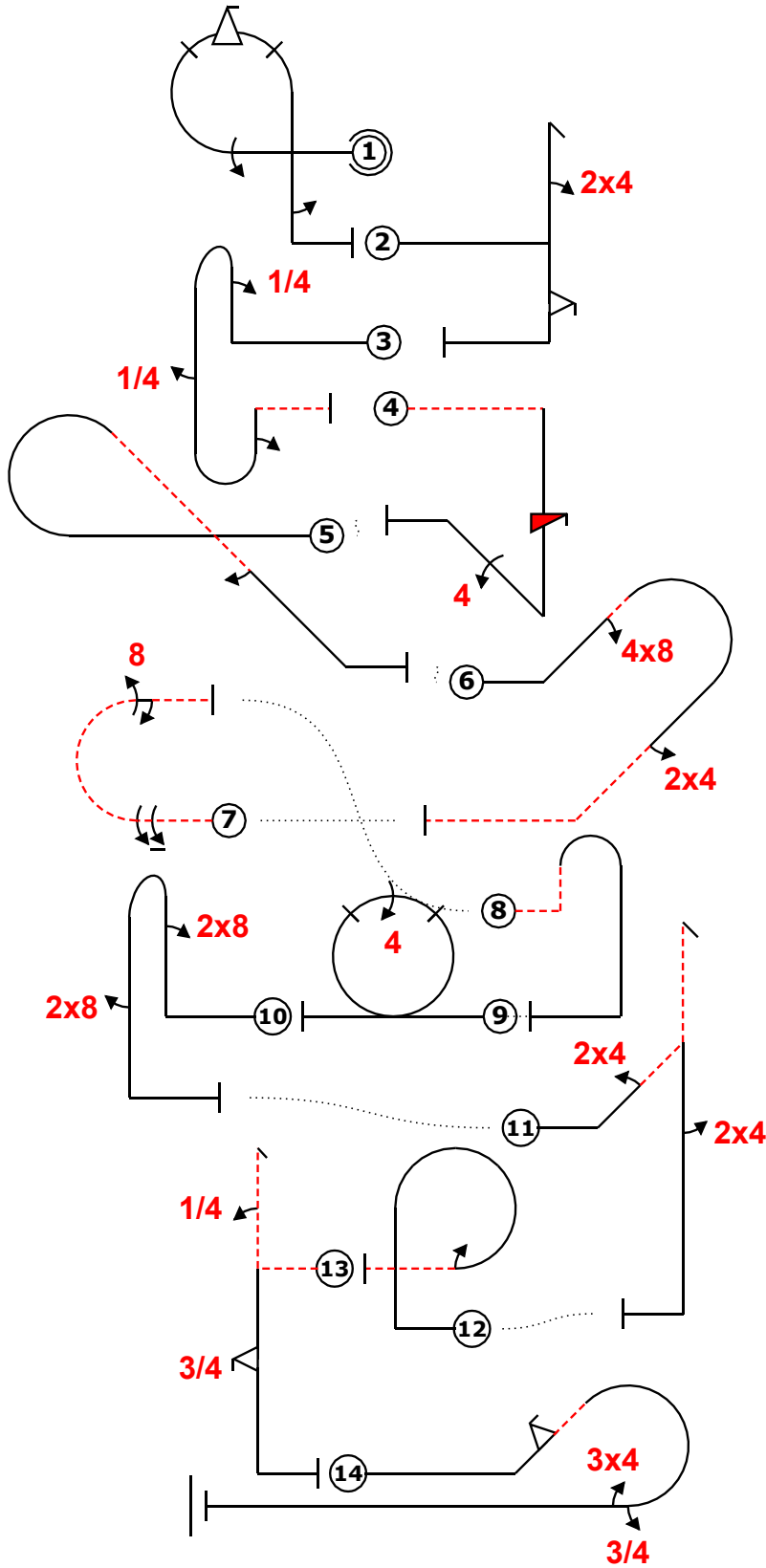
A - Programme 4 Cys		Form C
Pilote ID	France Advanced inconnu-libre 3	Vol N°



"@C" 1p(f)2 "@G" ,8b'',8.. "@D" o44 "@E" 24h.2f. (-8,0) "@L" +,4b',4.' (3,0) "@H" ~''48'rdB.'24... "@F" -9m88,2- (8,15) "@L" -4b.' '4-^ (-9,0) "@B" ~4h''3f. (7,0) "@L" ~4b.'4''^ "@A" 10% +... 2f''rc3,34+... (3,0) "@I" 24dh('''). '24...'+~ (-4,0) "@L" ~,4bb('),4-^ "@J" 2> ~is.ik''44''''

Pilote
Avion

B - Programme 4 Picard		Form B
Pilote ID	France Advanced inconnu-libre 3	Vol N°



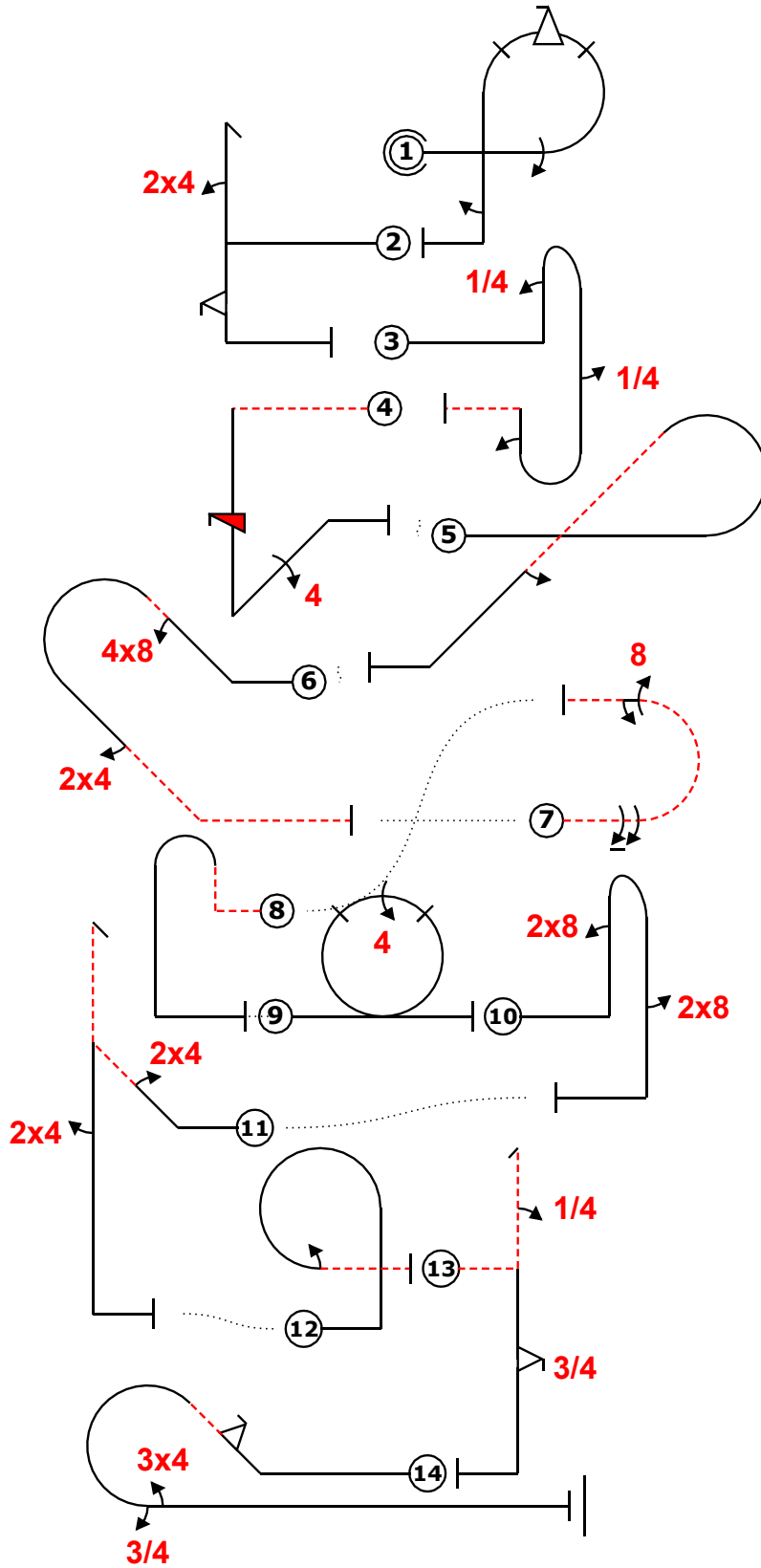
ed "@C" 1p(f)2 "@E" ++,24h2f+ "@L" 2> +,4bb(,,,,,4') ,2'-' 2> "@J" ~~~~~'is'ik' 44' (0,1) "@L" 'c....',2 (0,1) "@H" ,48rdb24.' (-9,0) "@F" -9m88,2- (15,14) "@L" ~~~~~'b (2,0) "@D" o,44 "@G" ,8b,8' (16,2) "@I" 24dh'24....' (-6,1) "@L" ~~~~~'rp,2- "@B" -4h',3f.' "@A" ++~~~~~2f'nc3,34++++~

A.PICARD pilote
CAP 231 F-GRSL
 Avion

Pilote ID

Vol N°

France Advanced inconnu-libre 3

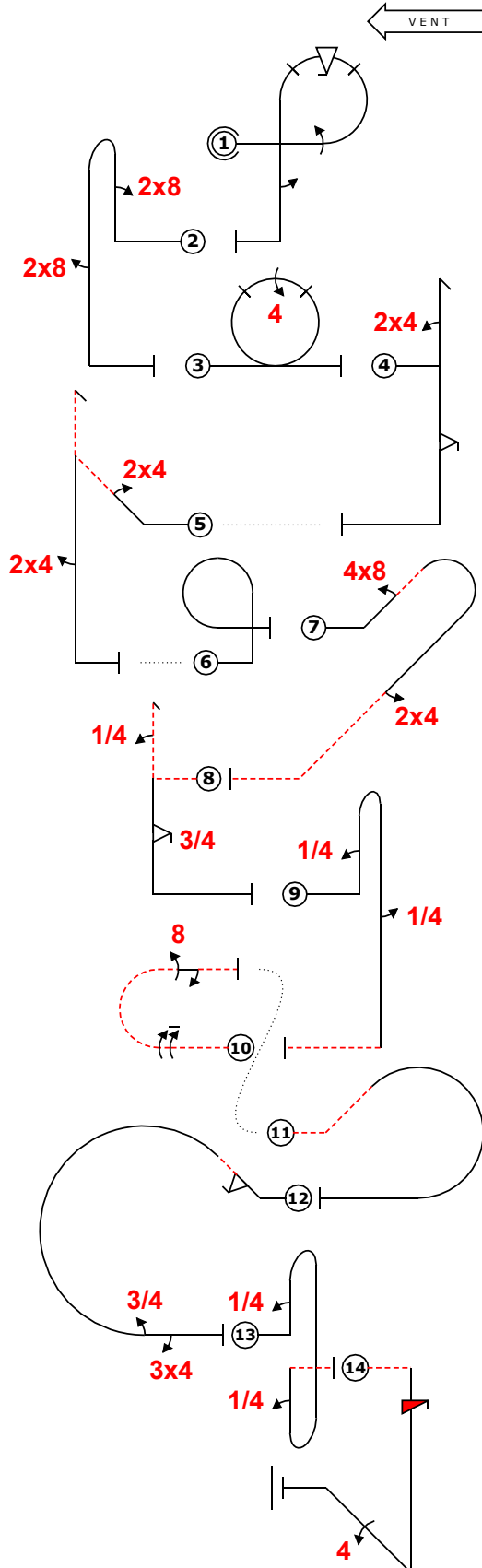


ed "@C" 1p(f)2 "@E" ++,24h2f+ "@L" 2> +,4bb(,,,,,4') ,2''- 2> "@J" ~~~~~is'ik' 44'''''' (0,1) "@L" ''c... ,2 (0,1) "@H" ,48rdb24.''''' (-9,0) "@F" -9m88,2- (15,14) "@L" '''''''''' b (2,0) "@D" o,44 "@G" ,8b,8'' (16,2) "@I" 24dh'24....' (-6,1) "@L" ''''''rp,2- "@B" -4h'',3f.''' '@A" ++''''''''2f'rc3,34++++-

A.PICARD pilote
CAP 231 F-GRSL Avion



C - Programme 4 Vanel		Form B
Pilote ID	CIVA Advanced Programme4	Vol N°

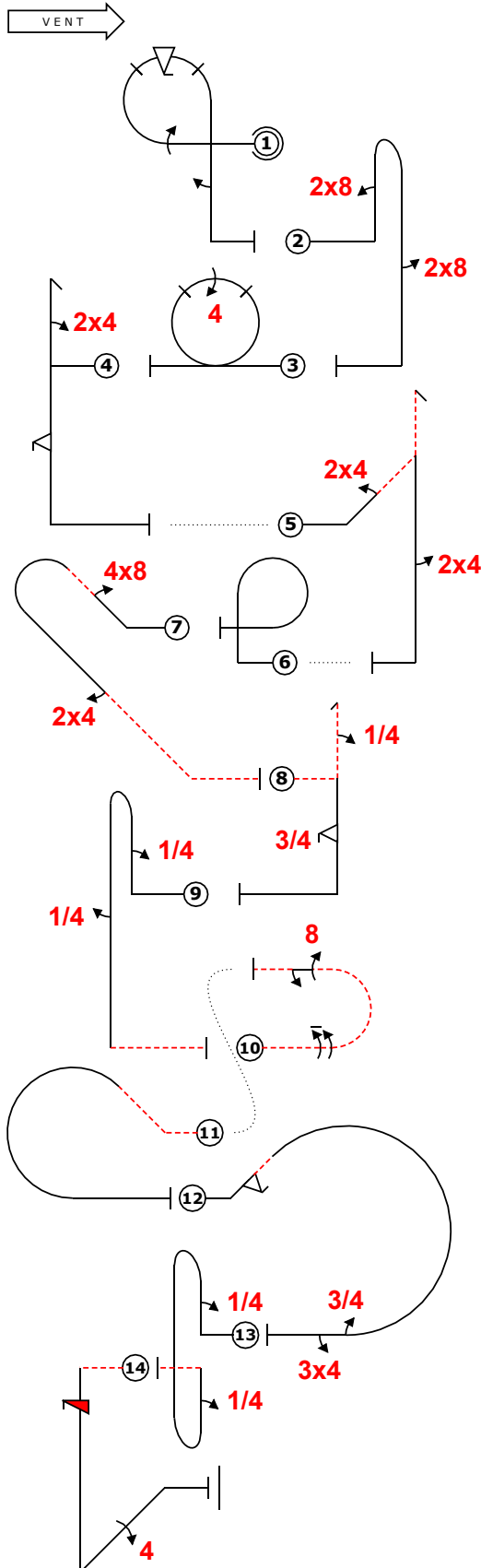


"@C" 1p(f)2. (0,0) "@G" 8'b.,8.' (0,0) "@D" o44 (0,0) "@E" 24h.2f.'+~ (-9,0) "@I" ,24'dh(')...,24...' (4,0) -2% "@L" rp (0,0) -3% "@H" ~48.rdb...24...' "@B" -4'h'3f.+~ (0,0) -2% "@L" 4'b...'4...' (0,0) -1% "@F" -',9m'88,2- (0,15) 5% "@L"rc+... 14% "@A"2f'...rc3,34+... "@L"+4'bb'4'-> "@J"is...'ik'44"

/ Pilote
 Avion



C - Programme 4 Vanel		Form C
Pilote ID	CIVA Advanced Programme4	Vol N°



"@C" 1p(f)2. (0,0) "@G" ,8'b.,8.' (0,0) "@D" o44 (0,0) "@E" 24h.2f.' +~ (-9,0) "@I" ,24'dh(`)...24...' (4,0) -2% "@L" rp (0,0) -3% "@H" ~48.rdb...24...' "@B" -4'h'3f.+~ (0,0) -2% "@L" 4'b...'4...' (0,0) -1% "@F" -',9m'88,2- (0,15) 5% "@L" '...'rc+... 14% "@A" '...'2f...'rc3,34+...' "@L" '...'4'bb'4'-> "@J" '...'is...'ik'44'

/ Pilote
 / / Avion